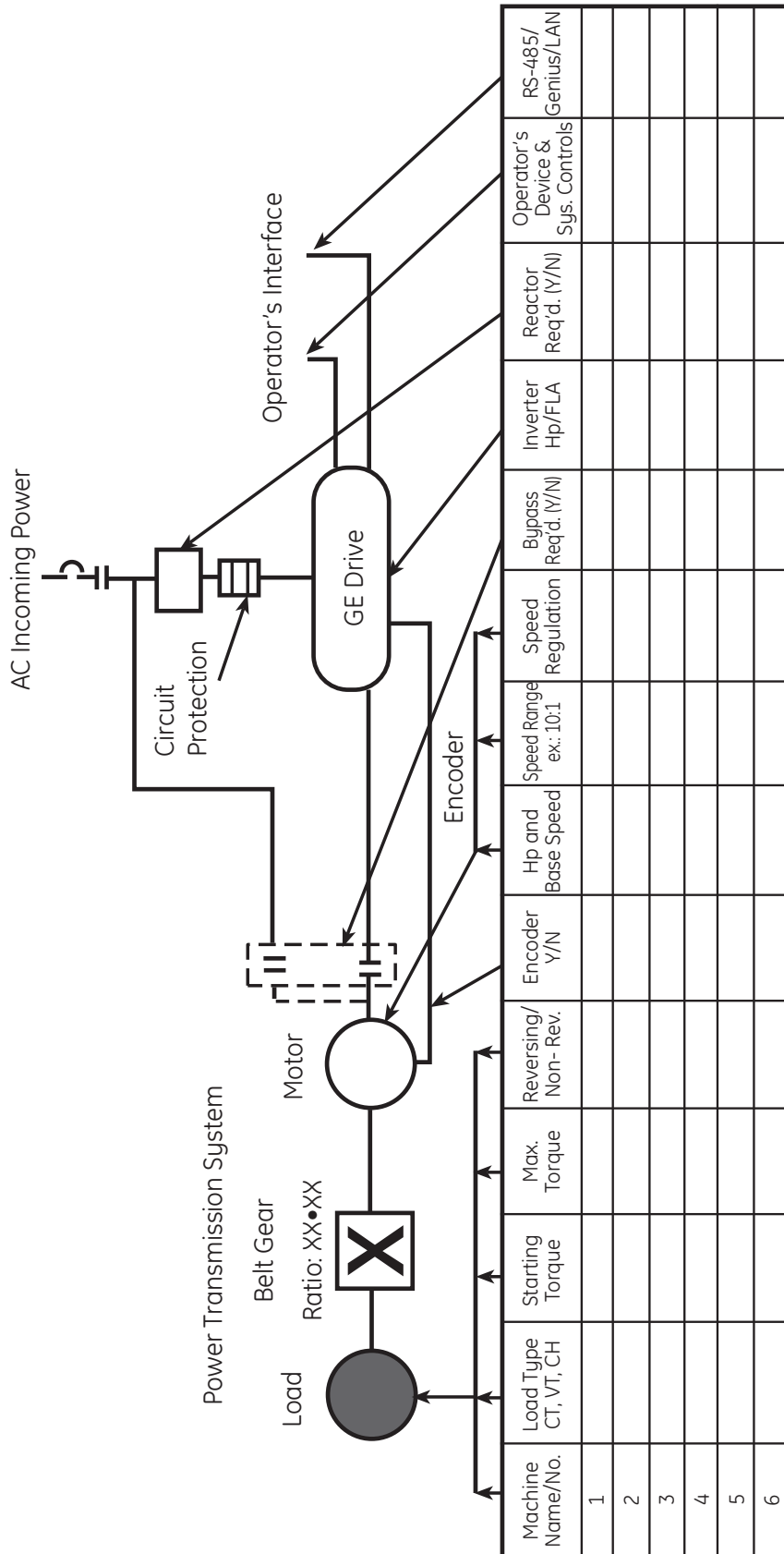


General Information AC Drive Specification Form

AC Drive



Machine Name/No.	Load Type CT, VT, CH	Starting Torque	Max. Torque	Reversing/ Non- Rev.	Encoder Y/N	Hp and Base Speed	Speed Range ex: 10:1	Speed Regulation	Bypass Req'd. (Y/N)	Inverter Hp/FLA	Reactor Req'd. (Y/N)	Operator's Device & Sys. Controls	RS-485/ Genius/LAN
1													
2													
3													
4													
5													
6													

